

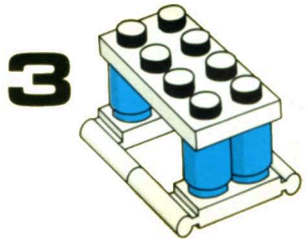
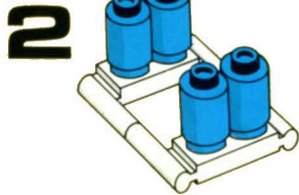
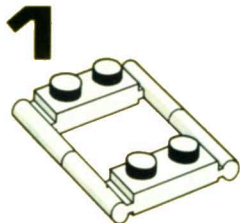
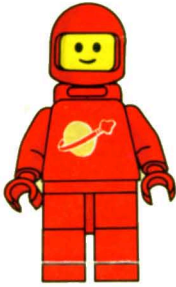
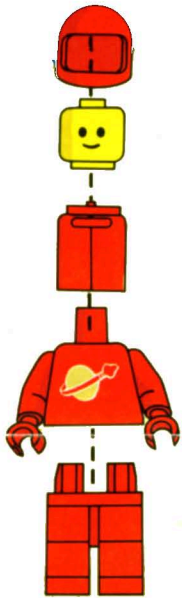
6846

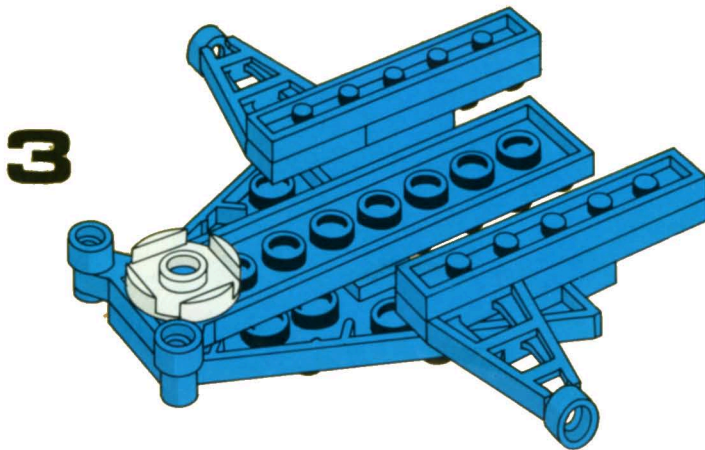
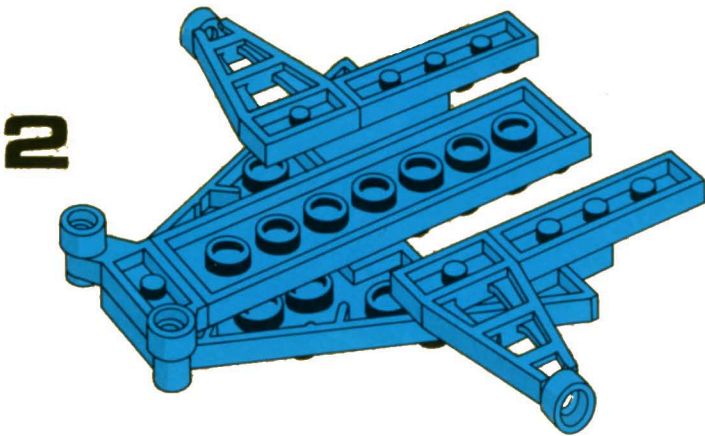
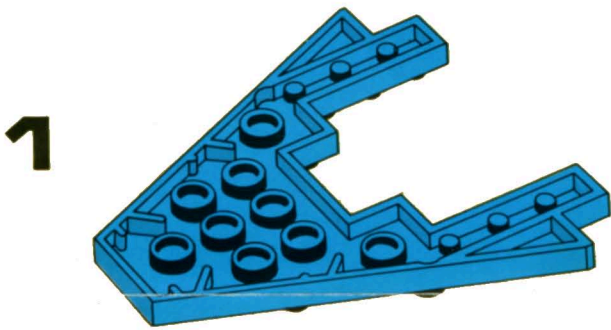
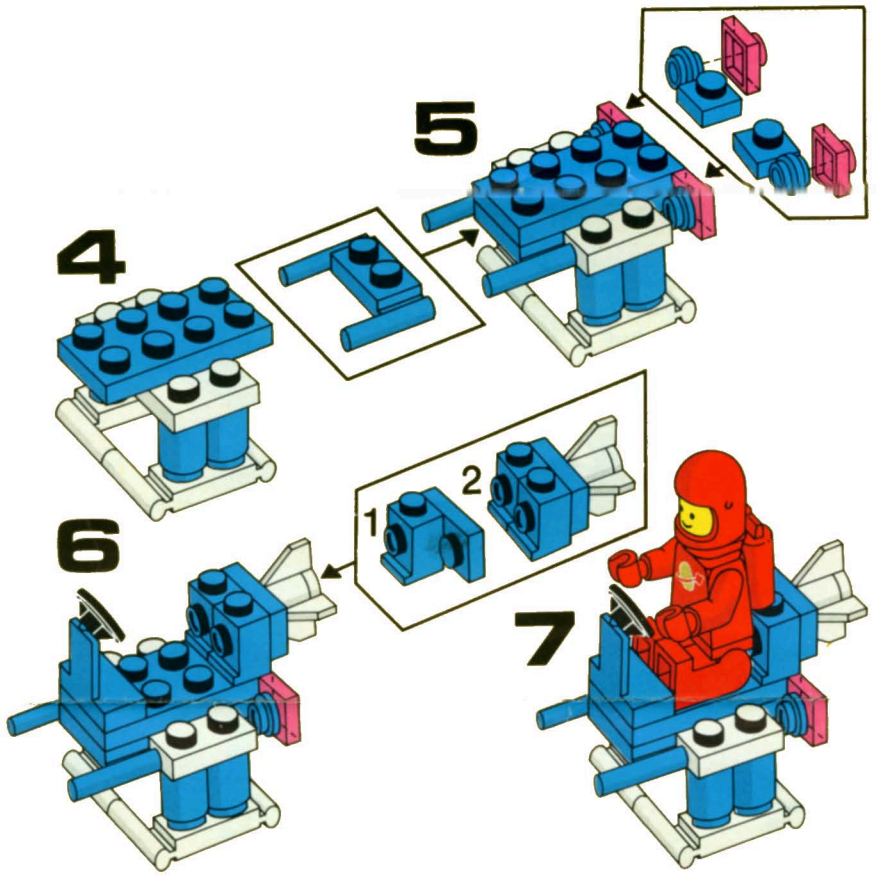
LEGOLAND®



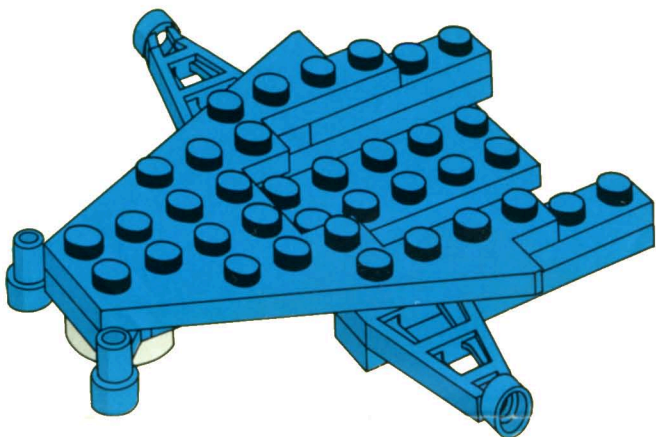
120338

© 1984 LEGO Group

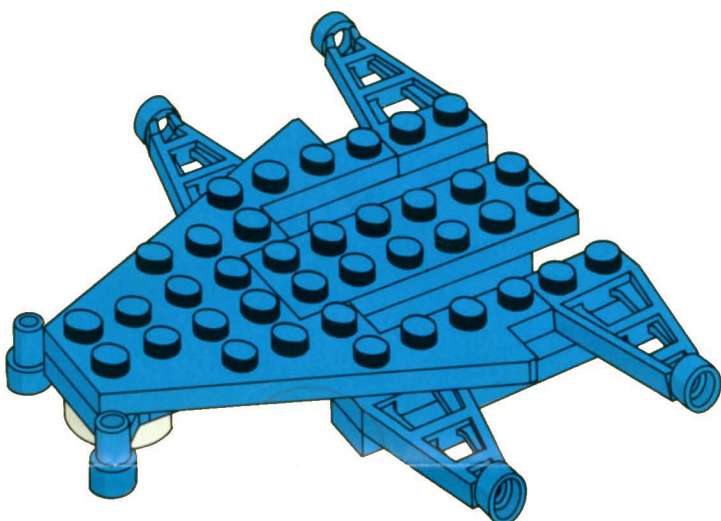




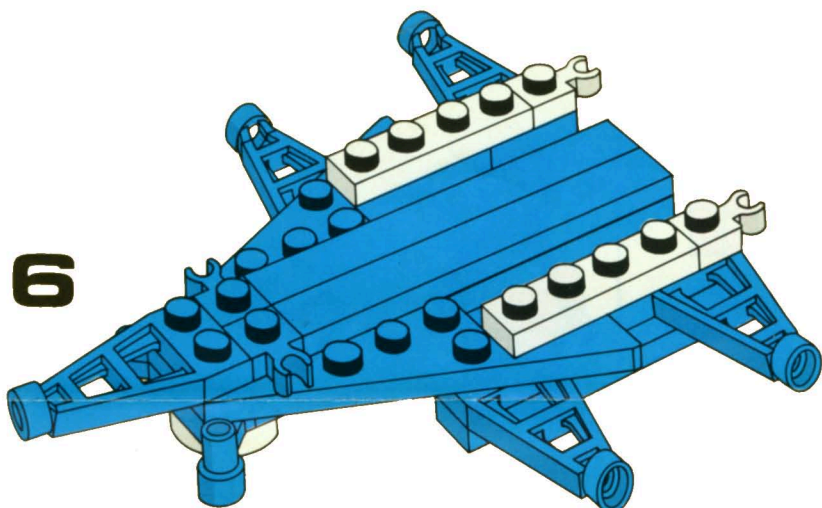
4



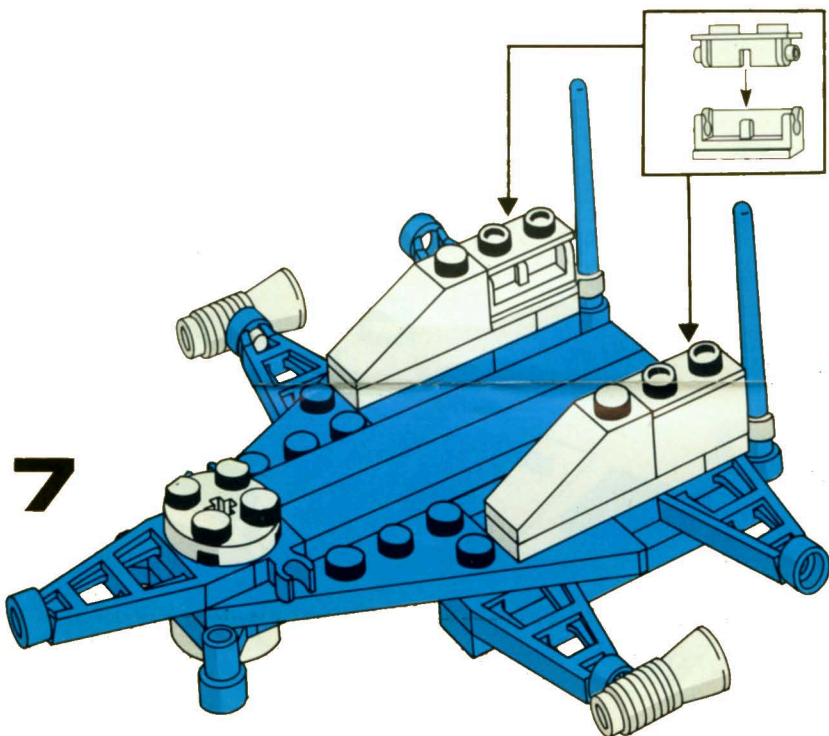
5



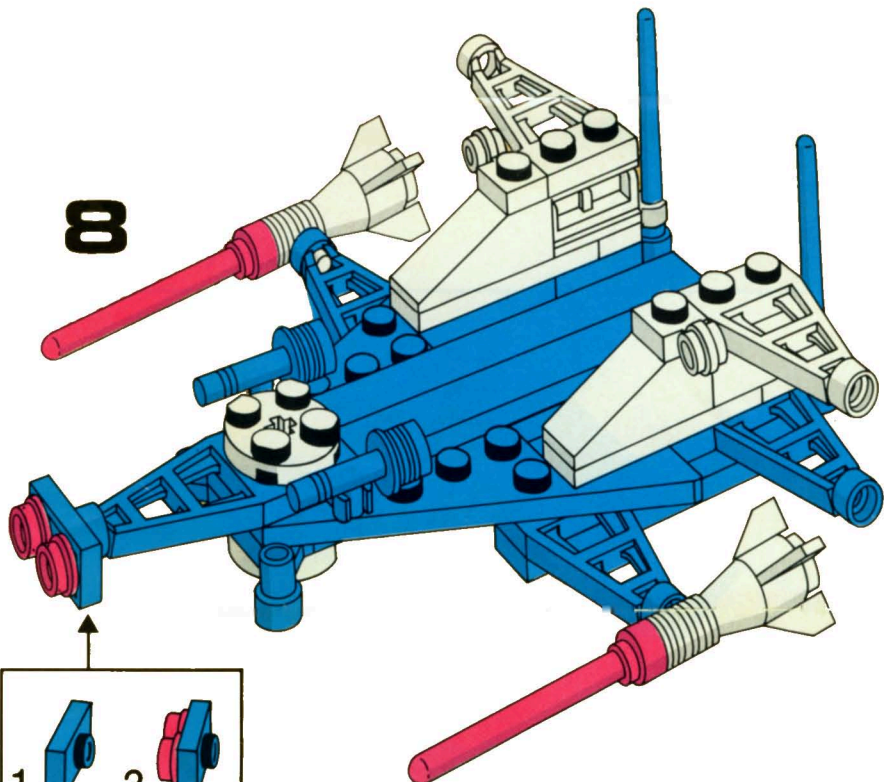
6



7



8



9

